

# STAINLESS STEEL FLATRAIL SANITARY STRUT

## Features:

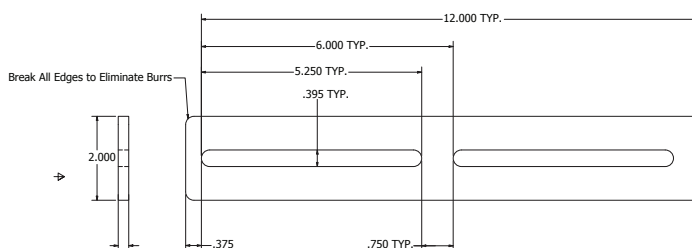
- Manufactured in type 304 stainless steel with excellent structural strength
- Polished to a bright, easily maintainable finish that is modern, attractive, easy to clean and that also enhances the surface's resistance to pitting and bacterial corrosion
- Continuous slot design provides maximum flexibility and reduced labor time to install
- Suitable for horizontal or vertical wall mount applications
- Excellent strength to weight ratio allows for ease of installation

## Certifications and Compliances:

- NSF 169 Certified

## Applications:

FlatRail is a new design in BriteRail™ support systems for sanitary and wash-down applications commonly found in food processing and pharmaceutical industries. The custom flat-shape design eliminates any surface where debris or bacteria can form, and eliminates the ability for water to pool during the wash-down process.

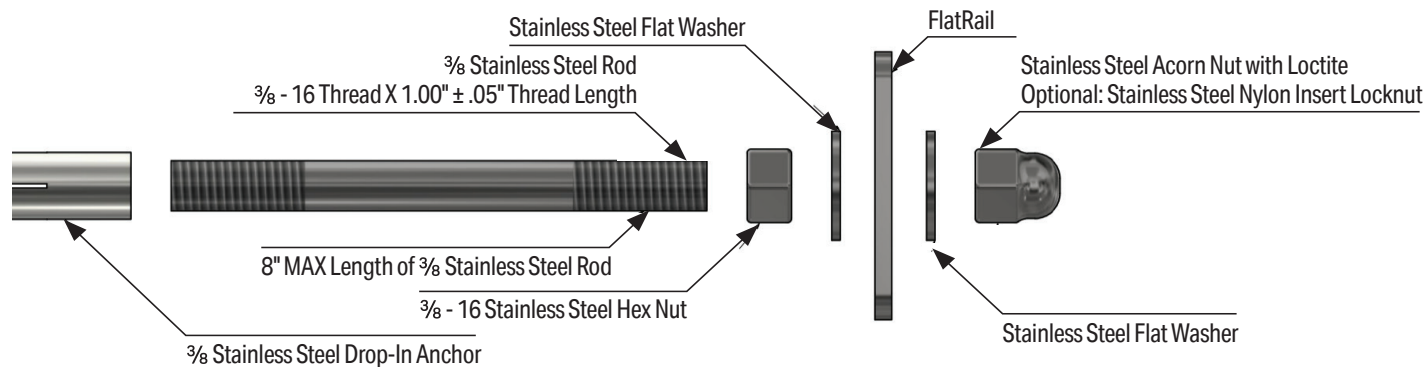
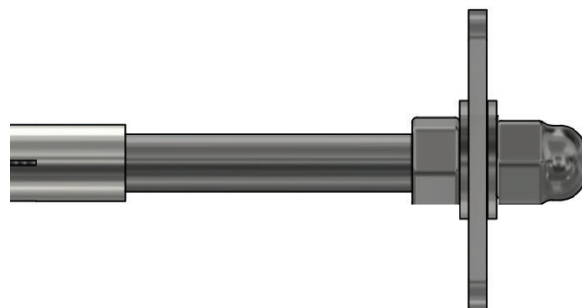
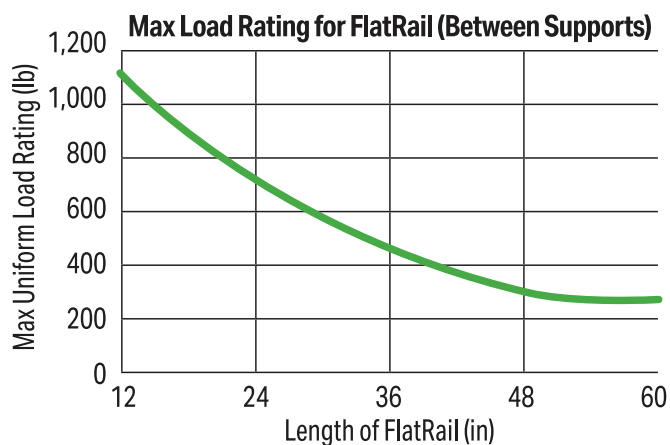


Part Number	Length (ft)	Mounting Slot Length (in)	Mounting Slot Width (in)	Overall Height (in)	Overall Width (in)	Mounting Rod (in)	Weight per Ft (lb)
S4000FRBR	10	5.25	0.395	1.036	2.500	3/8	1.03
S40020FRBR	2	5.25	0.395	1.036	2.500	3/8	1.03
S40030FRBR	3	5.25	0.395	1.036	2.500	3/8	1.03
S40040FRBR	4	5.25	0.395	1.036	2.500	3/8	1.03
S40050FRBR	5	5.25	0.395	1.036	2.500	3/8	1.03
S40060FRBR	6	5.25	0.395	1.036	2.500	3/8	1.03

All dimensions are for informational purposes only \*Tolerances +/- 5%



# STAINLESS STEEL FLATRAIL SANITARY STRUT



## Wall Loads - Horizontal

Length (in)	Max Load Uniform (lb)	Deflection (in)
12	250	0.059
24	250	0.049
36	250	0.068
48	250	0.129
60	250	0.189

## Wall Loads - Vertical

Length (in)	Max Load Uniform (lb)	Deflection (in)
12	375	0.000
24	375	0.000
36	375	0.000
48	375	0.000
60	375	0.000

NOTE: Load ratings are calculated between support rods, to exceed 60" length additional support rods will be required. Do not exceed length to load specifications

