

STAINLESS STEEL U-BOLTS

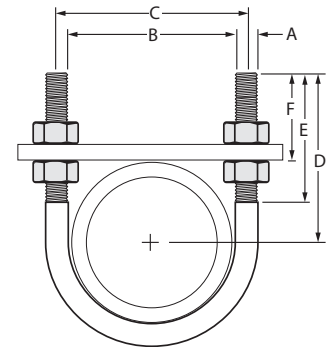
Features:

- Manufactured in type 316 stainless steel to meet any stringent sanitary condition
- Polished with standard “brite” finish to increase corrosion resistance and aesthetic appearance
- Figure 137 style
- Four type 316 stainless steel hex nuts included
- No package quantity required



Applications:

Used to mount and secure stainless and PVC coated conduit.



Part Number	Trade Size (in)	A (in)	B (in)	C (in)	D (in)	E (in)	F (in)	Weight per each (lb)
S60500UB00	½	¼	0.955	1.250	2.750	2.400	2.313	0.100
S60700UB00	¾	¼	1.180	1.400	2.790	2.520	2.219	0.110
S61000UB00	1	¼	1.400	1.700	2.800	2.520	2.094	0.120
S61200UB00	1¼	⅜	1.735	2.150	3.000	2.520	2.031	0.280
S61500UB00	1½	⅜	2.000	2.500	3.050	2.550	2.063	0.300
S62000UB00	2	⅜	2.450	2.850	3.250	2.550	2.063	0.320
S62500UB00	2½	½	3.000	3.875	3.750	3.000	2.250	0.680
S63000UB00	3	½	3.600	4.200	4.000	3.000	2.250	0.790
S63500UB00	3½	½	4.200	4.650	4.250	3.000	2.250	0.820
S64000UB00	4	½	4.600	5.200	4.750	3.050	2.250	0.920

All dimensions are for informational purposes only *Tolerances +/- 5%

