

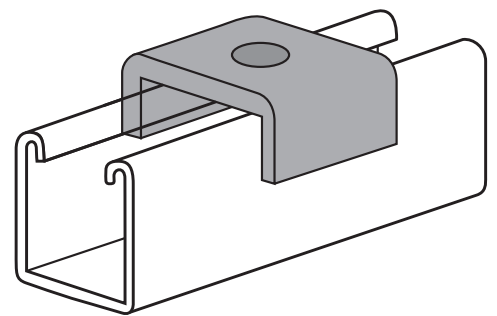
STAINLESS STEEL SADDLE WASHERS

Features:

- Manufactured in type 316 stainless steel for increased corrosion resistance
- Polished with standard “brite” finish to increase corrosion resistance and aesthetic appearance
- Designed for use with 1 $\frac{5}{8}$ ” stainless steel strut
- No package quantity required

Applications:

Calbrite’s stainless steel Saddle Washers are designed for connecting stainless steel strut and a variety of stainless strut accessories with the use of Threaded Rod.



Part Number	Trade Size (in)	Width (in)	Length (in)	Hole Diameter (in)	Thickness (in)	Weight per each (lb)
S60300STSW	$\frac{3}{8}$	1.950	1.600	0.310	0.110	0.120
S60700STSW	$\frac{1}{2}$	1.950	1.600	0.436	0.110	0.110
S60600STSW	$\frac{5}{8}$	1.950	1.600	0.550	0.110	0.100

All dimensions are for informational purposes only *Tolerances +/- 5%

