

STAINLESS STEEL GROUNDING HUBS

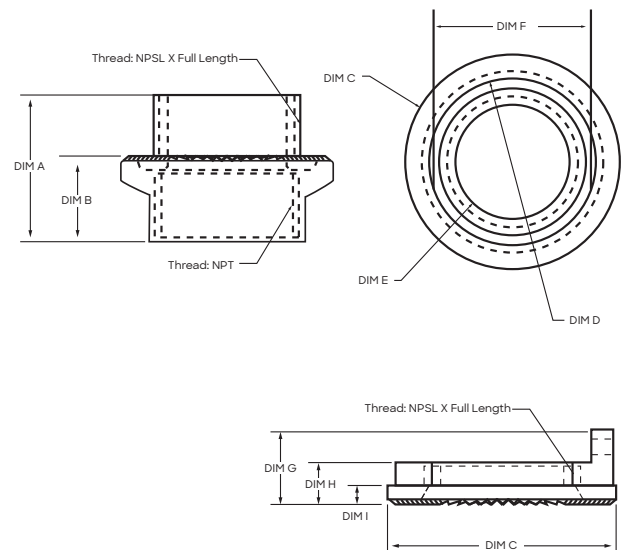
Features:

- Manufactured in type 316 stainless steel to meet any stringent sanitary condition
- Polished with standard “brite” finish to increase corrosion resistance and aesthetic appearance
- Designed for use with stainless threaded conduit
- Use of neoprene O-ring assures weatherproof seal
- Includes a type 316 stainless steel locknut for a secure installation
- No package quantity required



Applications:

To connect threaded stainless conduit to a threadless opening in a box or enclosure in an outdoor or indoor location. To positively bond conduit to a box or enclosure.



Part Number	Trade Size (in)	A (in)	B (in)	C (in)	D (in)	E (in)	F (in)	G (in)	H (in)	I (in)	Weight per each (lb)
S60500LTV2	1.60	0.91	1.70	1.10	0.59	0.975	0.76	0.44	0.22	0.40	0.390
S60700LTV2	1.66	0.96	1.93	1.33	0.78	1.21	0.87	0.50	0.23	0.54	0.530
S61000LTV2	1.91	1.08	2.20	1.60	1.00	1.48	0.94	0.53	0.25	0.75	0.750
S61200LTV2	1.96	1.12	2.55	1.96	1.30	1.76	1.00	0.55	0.26	0.98	0.970
S61500LTV2	1.96	1.13	2.8	2.20	1.52	2.03	1.03	0.58	0.27	1.14	1.170
S62000LTV2	1.99	1.15	3.31	2.73	1.95	2.55	1.12	0.62	0.28	1.62	1.650
S62500LTV2	2.82	1.60	3.88	3.28	2.26	3.10	1.23	0.66	0.30	2.80	2.250
S64000LTV2	2.81	1.70	4.58	4.00	2.90	3.70	1.33	0.70	0.32	3.82	3.000
S60500LTV2	3.00	1.81	5.58	5.00	3.81	4.72	1.51	0.80	0.36	5.32	4.860

All dimensions are for informational purposes only *Tolerances +/- 5%

