

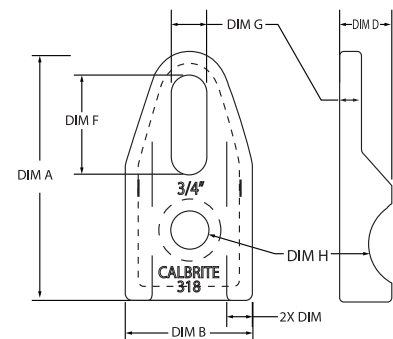
STAINLESS STEEL CLAMP BACKS

Features:

- Manufactured in type 316 stainless steel to meet any stringent sanitary condition
- Polished with standard “brite” finish to increase corrosion resistance and aesthetic appearance
- No package quantity required

Applications:

The stainless steel one piece clamp backs and clamp back spacers provide spacing from the mounting surface when securing both cable and conduit.



Clamp Backs

Part Number	Trade Size (in)	A (in)	B (in)	C (in)	D (in)	E (in)	F (in)	G (in)	H (Dia) (in)	I (in)	Weight per each (lb)
S60500CB00	½	2.500	1.300	0.250	0.500	0.310	1.000	0.380	0.380	0.270	0.150
S60700CB00	¾	2.500	1.300	0.250	0.560	0.540	1.000	0.380	0.380	0.270	0.150
S61000CB00	1	2.500	1.300	0.250	0.620	0.670	1.000	0.380	0.380	0.270	0.150

All dimensions are for informational purposes only *Tolerances +/- 5%

