

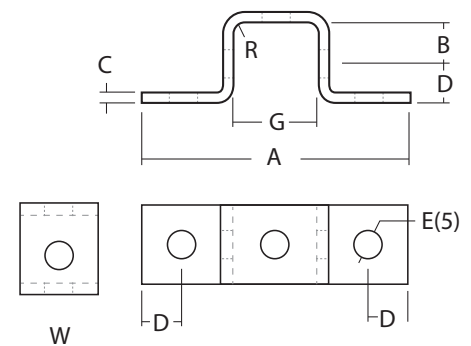
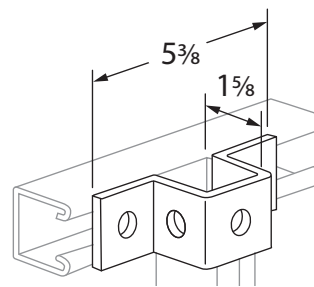
STAINLESS STEEL BRACKETS

Features:

- Manufactured in type 316 stainless steel to meet any stringent sanitary condition
- Polished with standard brite, easily maintainable finish that is modern, attractive, easy to clean, and that also enhances the surface's resistance to pitting & bacterial corrosion
- Internally threaded anchor allows easy bolt removability and service work
- Standard NPT threads allow for trouble-free installations
- Shallow embedment depth with high performance
- No package quantity required

Applications:

For use in structural fastening. Internally threaded, flush-mounted.



Part Number	Hole Diameter (in)	Embedment (in)	PSI (in)	Tensile Strength	Shear	Thread Depth (in)	Anchor Length (in)	Weight per 100 (lb)
S60000UF00	9/16	1.000	4000	2067	2750	1/2	1.000	2.880

Part Number	A Length (in)	B (in)	C (in)	D (in)	E (in)	G (in)	W (in)	Weight each per (lb)
S60500UF00	5.640	1.800	0.250	0.850	9/16	1.820	1.600	0.750

All dimensions are for informational purposes only *Tolerances +/- 5%

