

STAINLESS STEEL SADDLE WASHERS

Features:

- Manufactured in type 316 stainless steel for increased corrosion resistance
- Polished with standard “brite” finish to increase corrosion resistance and aesthetic appearance
- Designed for use with 1½” stainless steel strut
- No package qty. required

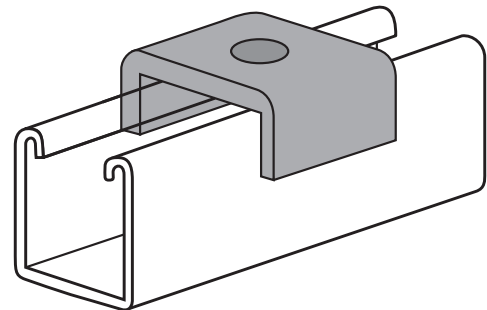
Applications:

Calbrite’s stainless steel Saddle Washers are designed for connecting stainless steel strut and a variety of stainless strut accessories with the use of Threaded Rod.



Industries Commonly Served:

- Food & Beverage Production
- Marine & Coastal Facilities
- Chemical Plants
- Water & Wastewater Treatment
- Pharmaceuticals & Cosmetics
- Refining & Extraction Sites
- Petrochemical Operations
- Pulp & Paper Mills
- Along with other corrosive environments



Part Number	Size (in)	Width (in)	Length (in)	Hole Diameter (in)	Thickness (in)	Weight (each) per (lb)
S60300STSW	¾	1.950	1.600	0.310	0.110	0.120
S60700STSW	½	1.950	1.600	0.436	0.110	0.110
S60600STSW	⅝	1.950	1.600	0.550	0.110	0.100

All dimensions are for informational purposes only *Tolerances +/- 5%



For more info visit atkore.com/calbrite

