

STAINLESS STEEL LOCK WASHERS

Features:

- Manufactured in type 316 stainless steel to meet any stringent sanitary condition
- Polished with standard “brite” finish to increase corrosion resistance and aesthetic appearance
- Provides excellent strength and durability to service a variety of installation requirements
- No package qty. required

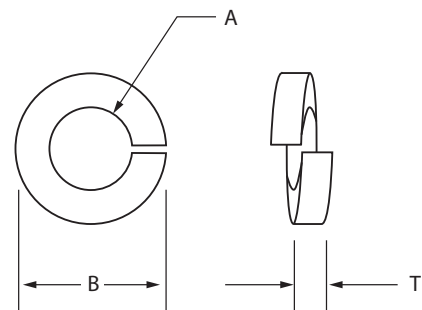
Applications:

Calbrite’s stainless steel Lock Washers are used with nuts, bolts and screws to provide additional security and prevent loosening.



Industries Commonly Served:

- Food & Beverage Production
- Marine & Coastal Facilities
- Chemical Plants
- Water & Wastewater Treatment
- Pharmaceuticals & Cosmetics
- Refining & Extraction Sites
- Petrochemical
- Pulp & Paper Mills
- Along with other corrosive environments



Part Number	Trade Size (in)	A (I.D.)	B (O.D.)	T Thickness (in)	Weight (each) per (lb)
S60200LW00	1/2	0.250	0.500	0.072	0.005
S60300LW00	3/8	0.375	0.675	0.105	0.010
S60500LW00	1/2	0.500	0.860	0.140	0.010
S60600LW00	5/8	0.625	1.050	0.158	0.020

All dimensions are for informational purposes only *Tolerances +/- 5%



For more info visit atkore.com/calbrite

