

## STAINLESS STEEL DUPLIX RECEPTACLE COVERS (HORIZONTAL/VERTICAL)



### Features:

- Manufactured in stainless steel to meet any stringent sanitary condition
- Polished with standard "brite" finish to increase corrosion resistance and aesthetic appearance
- Equipped with stainless steel springs
- Made of .032" thick stainless steel
- Vinyl gasket and stainless steel screws included
- No package qty. required

### Certifications and Compliances:

- UL514 Listed
- CSA Certified
- Dustproof

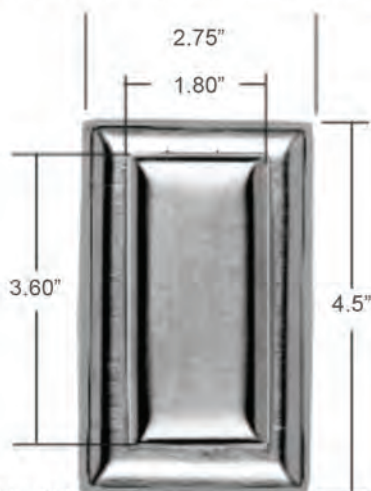
### Applications:

Calbrite's polished, dust-proof stainless steel covers and plates are designed for use in corrosive and harsh environments. Fits all Calbrite stainless steel Device Box configurations. Note: Not suitable for wet locations. Please see Calbrite's In-Use Covers for requirements in damp environments.

### Industries Commonly Served:

- Food & Beverage Production
- Marine & Coastal Facilities
- Chemical Plants
- Water & Wastewater Treatment
- Pharmaceuticals & Cosmetics
- Refining & Extraction Sites
- Petrochemical Operations
- Pulp & Paper Mills
- Along with other corrosive environments

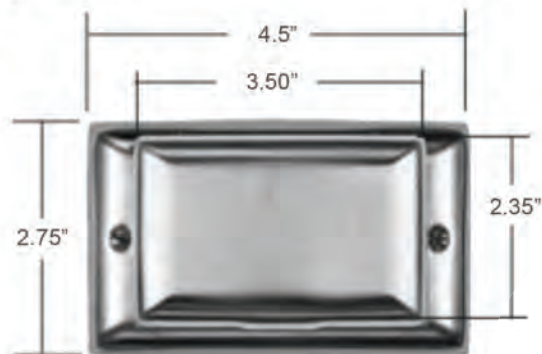
### DIMENSIONS FOR S607VDCVRS:



Weight= .32lbs

### DIMENSIONS FOR S607HDCVRS:

Weight= .36lbs



*All dimensions are for informational purposes only \*Tolerances +/- 5%*