

STAINLESS STEEL TOGGLE SWITCH COVER (VERTICAL)



Features:

- Manufactured in stainless steel to meet any stringent sanitary condition
- Polished with standard "brite" finish to increase corrosion resistance and aesthetic appearance
- Equipped with stainless steel springs
- Made of .032" thick stainless steel
- Vinyl gasket included
- No package qty. required

Certifications and Compliances:

- UL514 Listed
- CSA Certified
- Dustproof

Applications:

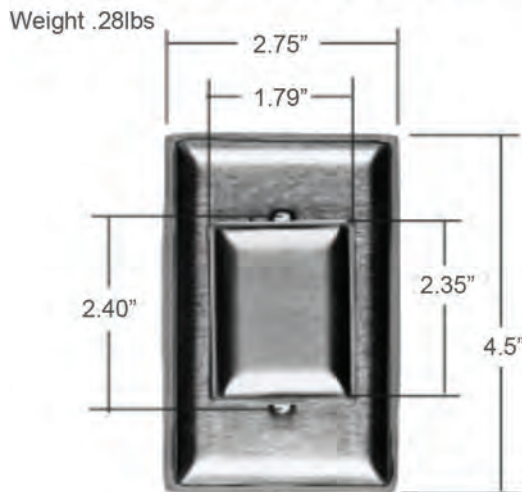
Calbrite's polished, dust-proof stainless steel covers and plates are designed for use in corrosive and harsh environments. Fits all Calbrite stainless steel Device Box configurations. Note: Not suitable for wet locations. Please see Calbrite's In-Use Covers for requirements in damp environments.



Industries Commonly Served:

- Food & Beverage Production
- Marine & Coastal Facilities
- Chemical Plants
- Water & Wastewater Treatment
- Pharmaceuticals & Cosmetics
- Refining & Extraction Sites
- Petrochemical
- Pulp & Paper Mills
- Along with other corrosive environments

DIMENSIONS FOR S6071TCVRS:



*All dimensions are for informational purposes only *Tolerances +/- 5%*