



STAINLESS STEEL GROUNDING HUBS

Features:

- Manufactured in type 316 stainless steel to meet any stringent sanitary condition
- Polished with standard "brite" finish to increase corrosion resistance and aesthetic appearance
- Designed for use with stainless threaded conduit
- O-ring manufactured from "Buna-N", and has excellent chemical resistance
- Includes a type 316 stainless steel grounding locknut for a secure installation
- No package qty. required

Certifications and Compliances:

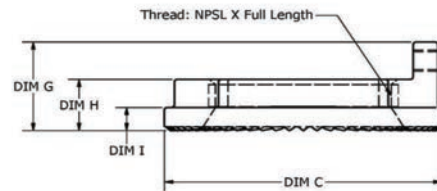
- Manufactured to UL514B / NEMA standards

Applications:

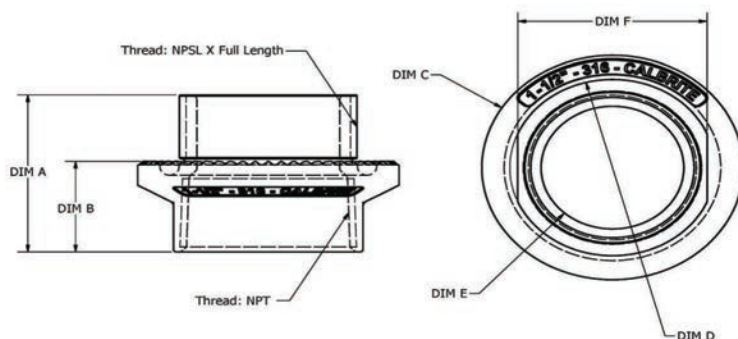
To connect threaded stainless conduit to a threadless opening in a box or enclosure in an outdoor or indoor location. To positively bond conduit to a box or enclosure.

Industries Commonly Served:

- Food & Beverage Production
- Chemical Plants
- Water & Wastewater Treatment
- Pharmaceuticals & Cosmetics
- Refining & Extraction Sites
- Petrochemical Operations
- Along with other corrosive environments



Part Number	DIM A	DIM B	DIM C	DIM D	DIM E	DIM F	DIM G	DIM H	DIM I	Weight each per lb
S60500LTV2	1.6	0.91	1.7	1.1	0.59	0.975	0.76	0.44	0.22	.40
S60700LTV2	1.66	0.96	1.93	1.33	0.78	1.21	0.87	0.5	0.23	.54
S61000LTV2	1.91	1.08	2.2	1.6	1	1.48	0.94	0.53	0.25	.75
S61200LTV2	1.96	1.12	2.55	1.96	1.3	1.76	1	0.55	0.26	.98
S61500LTV2	1.96	1.13	2.8	2.2	1.52	2.03	1.03	0.58	0.27	1.14
S62000LTV2	1.99	1.15	3.31	2.73	1.95	2.55	1.12	0.62	0.28	1.62
S62500LTV2	2.82	1.6	3.88	3.28	2.26	3.1	1.23	0.66	0.3	2.80
S64000LTV2	2.81	1.7	4.58	4	2.9	3.7	1.33	0.7	0.32	3.82
S60500LTV2	3	1.81	5.58	5	3.81	4.72	1.51	0.8	0.36	5.32



All dimensions are for informational purposes only *Tolerances +/- 5%